

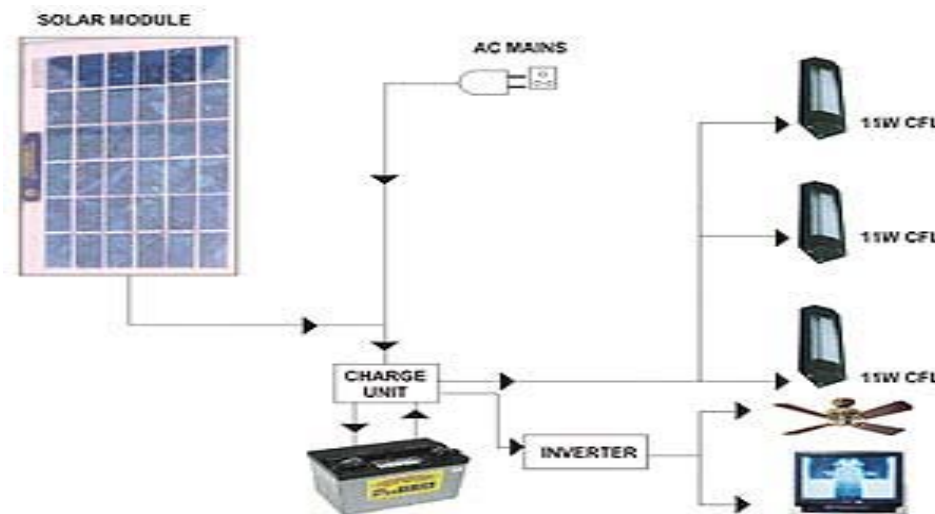
✓ E Right Engineering

SOLAR POWERED SUN UPS

Basically Solar Modules are used in the daytime to produce electricity from the sun energy and stored in the battery for usage in the night times.

We have developed 8 different models as SUN - UPS for main usage in houses, flats, common area lighting, small shops, medical shops, restaurants and in offices to be used during power cut period. The lights come ON automatically when the normal power fails and switch OFF automatically when the normal power comes back. The system is designed in such a way, the total charging is done by solar power during summer, 50% solar and 50% EB power during winter and 100% EB power in rainy days, so as to maintain the charges in the battery all the periods of the year. The products are very simple to install and requires practically no maintenance.

The life of the solar module is about 20 years and the battery life is about 3 years and the bulb life is about 5 years.





E Right Engineering

SUN-UPS

Details	Item	Solar Module	Battery Capacity	Hrs Per Day Usable
Package 1	3 X 11W CFL	15W X 1 No.	12 V 12 AH X 1 No.	2 Hrs Each
Package 2				4 Hrs Each
Package 3	3 X 11W CFL	15W X 2 No.	12 V 12 AH X 2 No.	2 Hrs Each
Package 4	3 X 11W CFL 1 X Fan 60W	15W X 3 No.	12 V 12 AH X 3 No.	2 Hrs Each 2 Hrs 1 Hr
	3 X 11W CFL 1 X Fan 60W 1 X TV 120W	15W X 4 No.	12 V 12 AH X 4 No.	